

FIRE CURTAIN AUTOMATIC

GSF KPR EI15, EI30, EI45, EI60

GSF KPR Fire Curtain by GLOBAL SYSTEM is intended for closing off opening in vertical partitions, both internal and external. The main purpose of the curtain is to **limit the spread of fire and the flow of gases and heat** for 15-60 minutes. Fire curtains separate fire zones in buildings and enable safe evacuation. They can be applied in public facilities and in other types of buildings. **GSF KPR EI Fire Curtain by GLOBAL SYSTEM** is equipped with an electric drive - a tubular motor, usually located on the right side.



► TYPES OF FIRE CURTAINS

GSF KPR EI15 – prevents the spread of fire and the flow of gases and heat streams for **15 minutes**

GSF KPR EI30 – prevents the spread of fire and the flow of gases and heat streams for **30 minutes**

GSF KPR EI45 – prevents the spread of fire and the flow of gases and heat streams for **45 minutes**

GSF KPR EI60 – prevents the spread of fire and the flow of gases and heat streams for **60 minutes**

► GATE CONSTRUCTION

The fire curtain consists of: curtain coat, shaft housing, guides, ballast strip, electric drive, control unit.



Limits the flow of flames, gases and heat ✓

Separation of fire zones ✓

Ensures the safe evacuation ✓

Compact, light construction ✓

Easy to assemble ✓



► ADDITIONAL INFORMATION

The **curtain gate coat** is made of fire-proof fabric, which is wound on a shaft and fixed between the guides at a distance of 500 mm. The door is controlled by the control panel which starts the motor and lowers the curtain when it receives a signal from a smoke detector or from the fire system alarm. In case of power failure, the control panel is supplied by built-in batteries. The emergency power supply time is up to 24 hours. **Shaft casing and guides of the curtain gate** are made of galvanized steel sheet as a standard (1 mm and 2 mm). All elements made of galvanized sheet can be painted in any colour from the RAL palette. **Fasteners (screws)** are made of galvanized steel, which are not painted as standard.

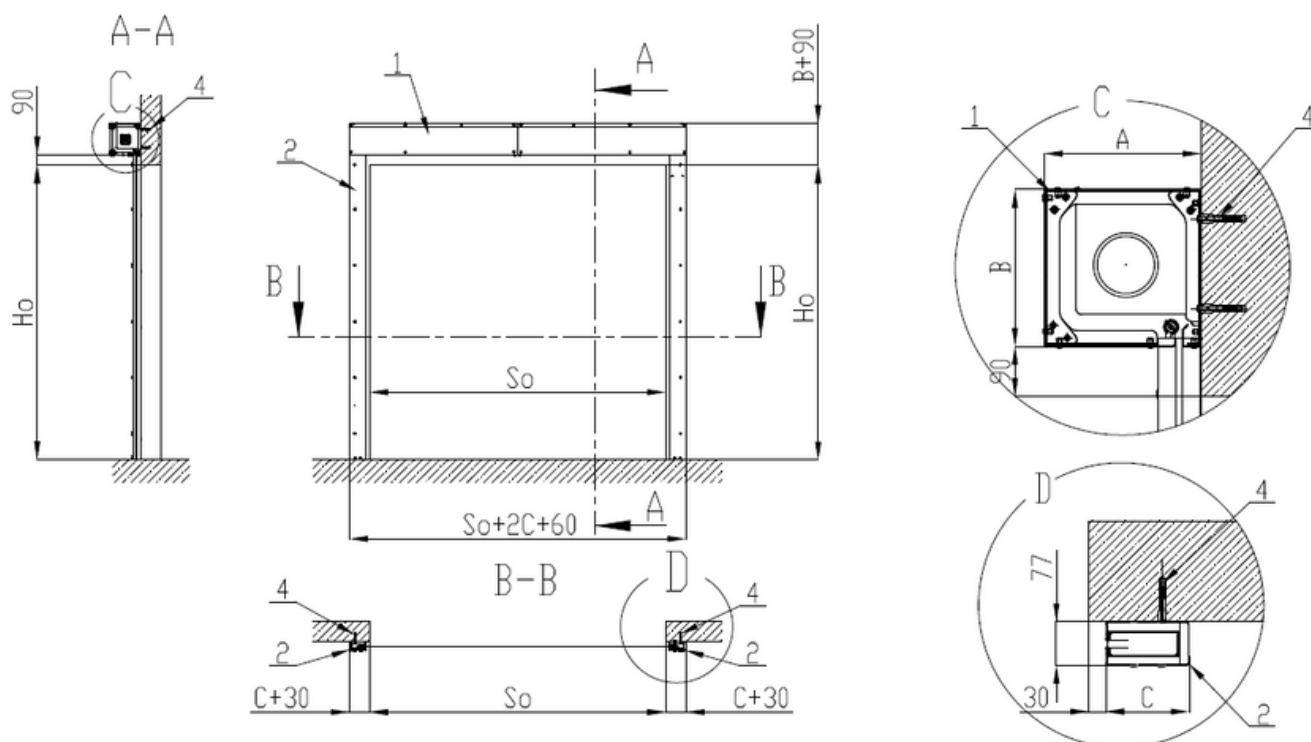
GLOBAL SYSTEM GSF KPR EI Fire Curtains are made in accordance with the harmonized standard: **EN 16034:2014, EN 13241:2003+A2:2016.**

THE CONTROL SYSTEM

GSF KPR EI15, EI30, EI45, EI60 automatic

Type	Name	Model	Recommended amount	Comments
Fire detector	optical smoke detector	ID100	2	recommended
	heat detector class A1R	ID200	2	ID100, max. 6 pcs
	heat and smoke detector	ID300	2	
Signalic device	acoustic signaling device	SAK-7	1	max. power 200 mA
Engine	tubular	24DC or 230AC	1	
Control unit	Global System	020 or 036 or SCP-03	1	
Manual control	key switch	SP 22K1	1	
Emergency power supply	batteries	7-12 or 18-12 or 2,3-12	2	

MAIN DETAILS



So - opening width
 Ho - opening height
 A - shaft housing depth
 B - shaft housing height
 C - side guide width

1. Shaft housing
 2. Guides
 3. Coat
 4. Fastening

All additional information to be agreed with the GLOBAL SYSTEM Technical Department