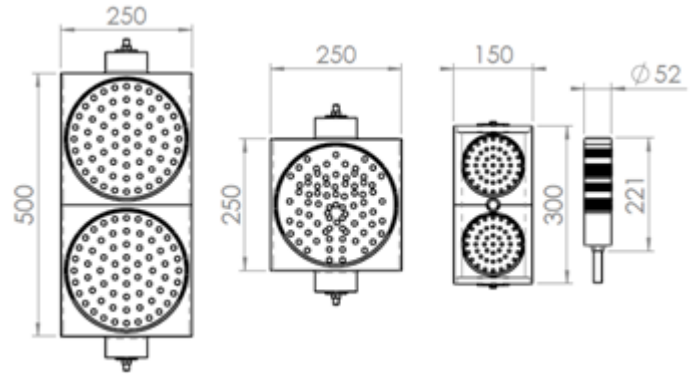
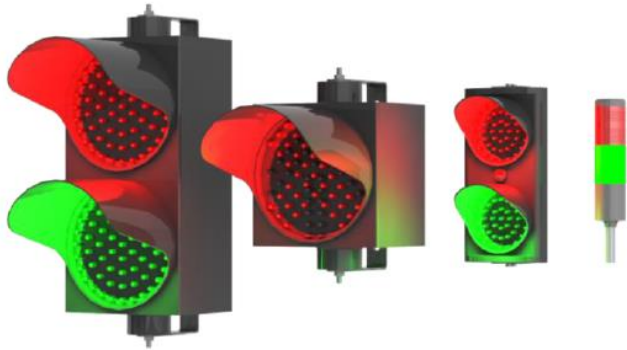


# Traffic lights



**Clear LED traffic lights provide optimal signalling.**

### Features

- Energy saving by LED technology
- Rigid assembly
- Increased long life maintenance free LED
- High impact resistance casing
- Very low heat dissipation
- Spray-water proof housing (IP65)
- Environmental friendly
- Automatic light intensity adjustment (at 934-151)
- Available in three different models
- 230V-AC power supply (no AC/DC convertor required)

### Application

Traffic lights increase safety around the loading- and unloading area.

As soon as the industrial door will be opened or the dock equipment is operated, the traffic light turns from green to red. When loading and unloading is completed, or the door is closed, the light switches from red to green and the truck driver knows that it is safe to drive off.

Inside the building, signal lights can be installed on the control unit which operate in the opposite way to the traffic lights outside.

The signal lights inside and traffic lights outside also operate in combination with a wheel chock or vehicle detection sensor.

### Long life and energy saving

Traffic lights have a long life rated over 50.000 hours. Due to very low energy consumption the LED traffic lights are energy- and cost saving.

### Materials

The quantity of LED's produce intense light which is clearly visible. The durable traffic lights are shock resistant and have a spray-water proof housing (IP65).

### Dimensions

Traffic lights are available in 3 wall models where the red and green light each have a 100 mm or 200 mm diameter. The light pillar (model 934-192) has a light size of 52mm.

Article number	Width (mm)	Height (mm)	Depth (mm)	Diameter lens (mm)	Power	Weight (kg)
<b>934-152</b>	250	500	140	200	230V AC	5,94 kg
<b>934-173</b>	250	250	140	200	230V AC	4,96 kg
<b>934-151</b>	150	300	61	100	230V AC	5,2 kg
<b>934-192</b>	Ø52	221	52	52	230V AC	0,5 kg

### Technical Specifications

Standards ..... CE  
 Power supply..... 145-265 VAC, 50/60 Hz  
 Wave length ..... red 625 +/- 5 nm and green 505 +/- 5 nm  
 Protection class .....IP65 (934-192 IP54)

### 934-152

Lens diameter.....2x200 mm  
 Life span .....50.000-80.000 hours  
 Energy consumption ..... <= 9 W  
 LED quantity.....red and green light each 90 pieces  
 Light intensity..... red >400 cd and green > 600 cd

### 934-173 (combined red cross and green arrow)

Lens diameter.....1x200 mm  
 Life span .....50.000-80.000 hours  
 Energy consumption ..... <= 6 W  
 LED quantity.....red cross: 45 pieces  
 LED quantity.....green arrow: 30 pieces  
 Light intensity..... red >100 cd and green > 120 cd  
 Housing.....can swing open to the left and right side

### 934-151

Lens diameter.....2x100 mm  
 Life span .....50.000-80.000 hours  
 Energy consumption ..... <= 5 W  
 Light intensity red (H&V 0°)\*.....day: ±53cd/night: ±34cd  
 Light intensity green (H&V 0°)\*.....day: ±61cd/night: ±40cd

### 934-192

Lens diameter.....52 mm  
 Life span .....50.000-80.000 hours  
 Energy consumption ..... <= 3 W

## Traffic lights

---

### Installation options

Traffic lights can easily be connected to the dock leveller control unit, inflatable dock shelter or industrial door. All wall models are equipped with adjustable wall mounting brackets that can be adjusted through 180°. This allows the traffic light to be mounted on either dock house side without additional brackets. The light pillar can be mounted on the control box.